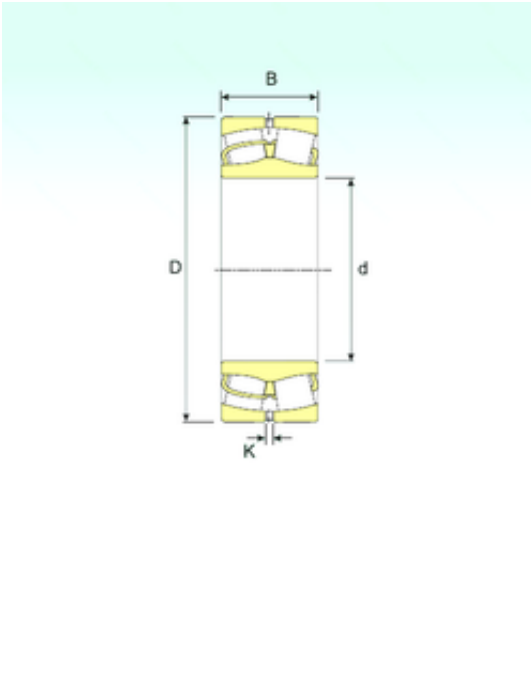




# SKF Wheel Bearings DEVELOP MFG.CORP.



22338 Bearing 2D drawings and 3D CAD models

190 mm x 400 mm x 132 mm ISB 22338  
spherical roller bearings

Bearing No. 22338

Size	190x400x132 mm
Bore Diameter	190 mm
Outer Diameter	400 mm
Width	132 mm
d	190 mm
D	400 mm
B	132 mm
C	132 mm
K	6 mm
Weight	82,5 Kg
Basic dynamic load rating (C)	2078 kN
Basic static load rating (C0)	2597 kN
(Grease) Lubrication Speed	1224 r/min