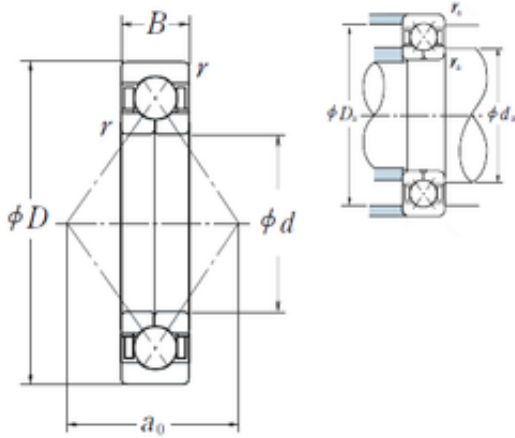




SKF Wheel Bearings DEVELOP MFG.CORP.



50 mm x 90 mm x 20 mm NSK QJ210 angular contact ball bearings

Bearing No. QJ210

QJ210 Bearing 2D drawings and 3D CAD models

Size	50x90x20 mm
Bore Diameter	50 mm
Outer Diameter	90 mm
Width	20 mm
d	50 mm
D	90 mm
B	20 mm
C	20 mm
Angle (°)	35 °
a	49 mm
r min.	1,1 mm
da min.	57 mm
da max	83 mm
ra max.	1 mm
Weight	0,59 Kg
Basic dynamic load rating (C)	57 kN
Basic static load rating (C0)	97 kN
(Grease) Lubrication Speed	5 600 r/min
SRI	6.6
hidYobi	QJ210
LangID	1
ALP23	0
ALP22	0
D_	90
ALP21	35



SKF Wheel Bearings DEVELOP MFG.CORP.

SREX	0.05
B_	20
hidTable	ecat_NSANGFP
Oil rpm	8000
C0r	9900
SRE	6.6
mass	0.59
GRS rpm	5600
ra	1
SRIX	0.05
D_a	83
Cr	5850
SRIN	0
C0	97
SREN	0
DE_	82.759
Prod_Type3	ACBB_FP_A
da	57
DA_	12.7
Z_	14
yobi	QJ210
ao	49
SDM_	70
r	1.1
KBRG	776
DI_	57.221