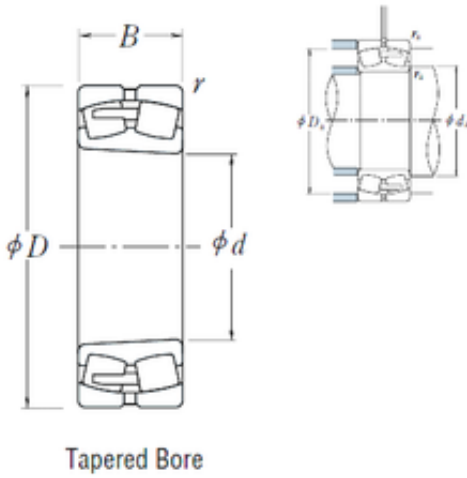




SKF Wheel Bearings DEVELOP MFG.CORP.



630 mm x 920 mm x 212 mm NSK
230/630CAKE4 spherical roller bearings

Bearing No. 230/630CAKE4

230/630CAKE4 Bearing 2D drawings and 3D CAD models

Size	630x920x212 mm
Bore Diameter	630 mm
Outer Diameter	920 mm
Width	212 mm
d	630 mm
D	920 mm
B	212 mm
C	212 mm
r min.	7,5 mm
da min.	666 mm
Da min	835 mm
Da max.	884 mm
ra max.	6 mm
Weight	468 Kg
Basic dynamic load rating (C)	5900 kN
Basic static load rating (C0)	12700 kN
(Grease) Lubrication Speed	280 r/min
(Oil) Lubrication Speed	340 r/min
Calculation factor (e)	0,22
Calculation factor (Y0)	3,1
Calculation factor (Y2)	4,7