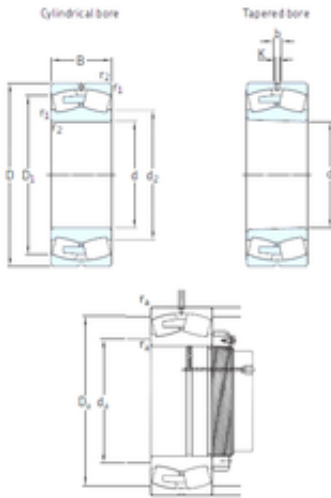




SKF Wheel Bearings DEVELOP MFG.CORP.



630 mm x 920 mm x 212 mm SKF
230/630CA/W33 spherical roller bearings

Bearing No. 230/630CA/W33

230/630CA/W33 Bearing 2D drawings and 3D CAD models

Size	630x920x212 mm
Bore Diameter	630 mm
Outer Diameter	920 mm
Width	212 mm
d	630 mm
D	920 mm
B	212 mm
C	212 mm
b	22,3 mm
d2	727 mm
r1 min.	7,5 mm
r2 min.	7,5 mm
D1	839 mm
K	12 mm
da min.	658 mm
Da max.	892 mm
ra max.	6 mm
Weight	485 Kg
Basic dynamic load rating (C)	6700 kN
Basic static load rating (C0)	12500 kN
Fatigue load limit (Pu)	800
Reference speed	380 r/min
Limiting speed	670 r/min
Calculation factor (e)	0,21
Calculation factor (Y0)	3,2



SKF Wheel Bearings DEVELOP MFG.CORP.

Calculation factor (Y1)	3,2
-------------------------	-----